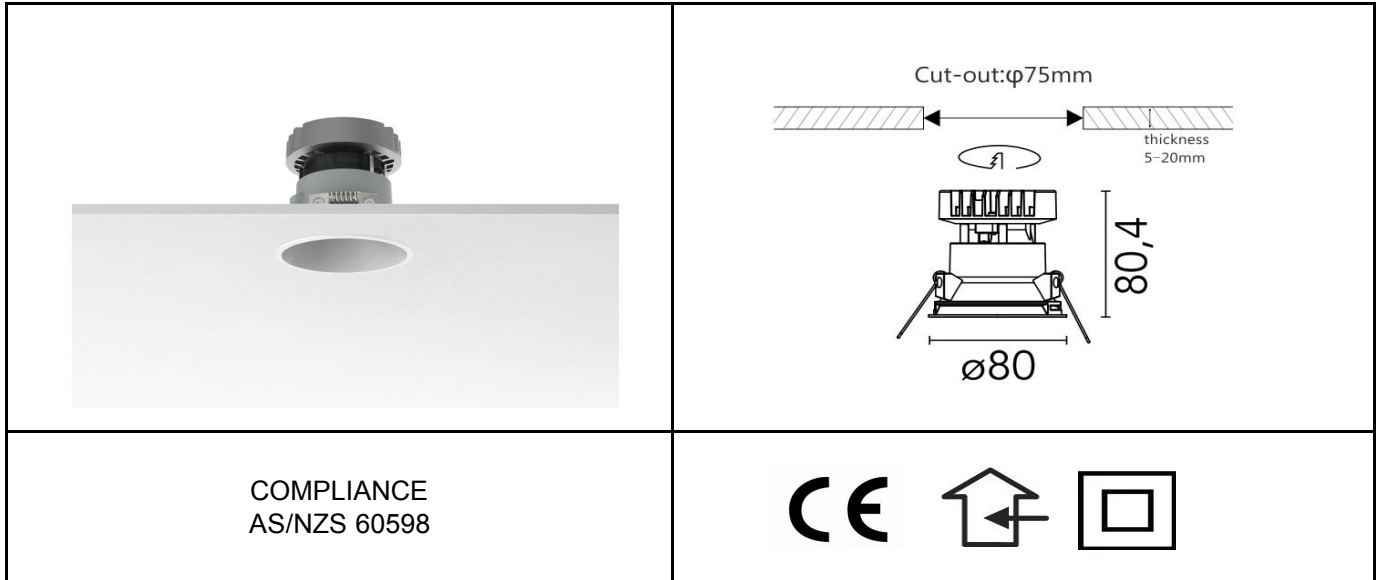


DATASHEET

ITEM CODE

24684LED

CETTIG 



COMPLIANCE
AS/NZS 60598



PHYSICAL CHARACTERISTICS

INSTALLATION	Recessed	ROTATION	Non rotatable
DRIVER	Remote	IP-RATING	IP20
CUT-OUT SIZE	Ø75mm	IK-RATING	IK03
DIMENSION	Ø80mm x H80.4mm	FIXTURE MATERIAL	Housing: Die-Cast Aluminum
CEILING THICKNESS RANGE	5-20mm	STANDARD FINISH	White / Black
RECESSED DEPTH REQUIRED		PACKAGE	/
ADJUSTABILITY	Fixed	WEIGHT	/
REFLECTOR	White	OPTIONAL ACCESSORIES	

ELECTRIC / PHOTOMETRIC DATA

LIGHT SOURCE	EVERCORE COB		CHROMATICITY TOLERANCE	SDCM≤3
LED CURRENT	180mA	250mA	COLOR RENDITION INDEX	Ra ≥ 80/Ra ≥ 90
LED VOLTAGE	36V	36V	COLOR TEMPERATURE	2700K 3000K 4000K
LED POWER	6.5W	9W	BEAM ANGLE	24°/38°/50°
SYSTEM POWER	7W	10W	DIMMING OPTION(S)	NON-DIM/PHASE/1-10V/DALI
LED LUMINOUS FLUX			CERTIFICATION	CE
LUMINAIRE LUMINOUS FLUX ±10% (3000K CRI 90)			POWER FACTOR	
LUMINAIRE LUMINOUS FLUX ±10% (2700K CRI 90)	465-515LM	665-736LM	UGR	<19
SYSTEM EFFICACY (3000K CRI 90)	73 LM/W	73 LM/W	DRIVER OPTION(S)	EAGLERISE/EUCHIPS/TRIDONIC/ OSRAM/TCI/MEANWELL/L-TECH

MISCELLANEOUS SPECIFICATIONS

ENERGY CLASS	A
MAINS VOLTAGE	220-240 V AC
OPTIONAL VOLTAGE	100-240 V AC
FREQUENCY	50/60 Hz
SAFETY CLASS	II
ENVIRONMENTAL TEMP.	-20°C / +40°C
RATED SERVICE LIFE (h)	50000
WARRANTY	5 Years

Notice: We reserve the right to make the technical changes without notice. Please contact our sales office for further information.

Hongkong CETTiGA Lighting Equipment Co., Limited / Foshan Shengtianjia Lighting Equipment Co.,Ltd / Shenzhen Cettiga Lighting Technologies Co., LTD

Tel:+86 757 86604263 / 86604095 Fax:+86 757 86604095
Email: shengtianjia@cettiga.com Website: www.cettiga.com