

2734ZDR | 声波振动电机 Sonic Motor

应用领域：洗脸刷、脸部按摩仪、保健器材、清洁用具等。

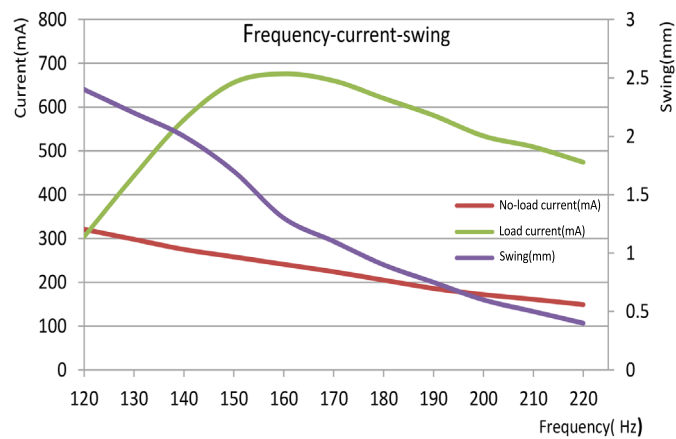
Applications: facial brushes, facial massagers, health care products, cleaning equipment, etc.

主要技术指标 | Characteristics

| | | | -1-L2-30-3.7 | -2-L13-30-3.7 | -1-L3-25-5.0 |
|----|---------|-----------------------------|--------------------|---------------|--------------|
| 1 | 电压 | Voltage | V | 3.7 | 5.0 |
| 2 | 直流电阻 | Resistance | Ω | 3.0 | 3.0 |
| 3 | 工作频率范围 | Operating frequency range | Hz | 100~240 | 100~240 |
| 4 | 空载振动频次 | No-load vibration frequency | Times / minute | 30000 | 30000 |
| 5 | 空载振动电流 | No-load current | mA | 150 | 220 |
| 6 | 启动转矩 | Starting torque | mNm | 56 | 75 |
| 7 | 启动电流 | Starting current | A | 1.23 | 1.67 |
| 8 | 负载 (刷头) | Rated load (Brush head) | g mm | 13.8 41 | 13.8 41 |
| 9 | 负载振动频次 | Load vibration frequency | Times / minute | 20400 | 20400 |
| 10 | 负载电流 | Load current | mA | 580 | 670 |
| 11 | 转子惯量 | Rotor inertia | gcm^2 | 2.4 | 2.4 |
| 12 | 重量 | Weight | g | 76 | 76 |
| 13 | 工作温度范围 | Operating temperature range | $^{\circ}\text{C}$ | -10~+60 | -10~+60 |

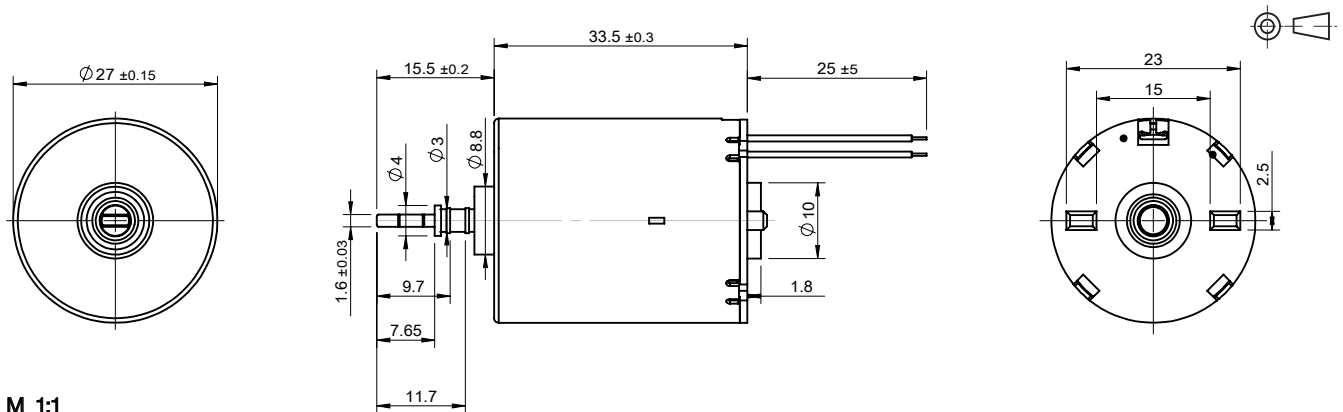
★可选参数 Options: 导线长度 Lead wires length 轴长 Shaft length 性能 Special coils

特性曲线 | Characteristics Curve



型号 / Mode 2734ZDR-1-L2-30-3.7

外观图 | Outline Drawing



M 1:1