

0615N5M | 贵金属电刷 Precious Metal Commutation

应用领域：医疗、保健、汽车、机器人、工业自动化等精密驱动领域。

Applications: precision drives in medical equipment and devices, healthcare products, automotive, robotics, and industrial automation.

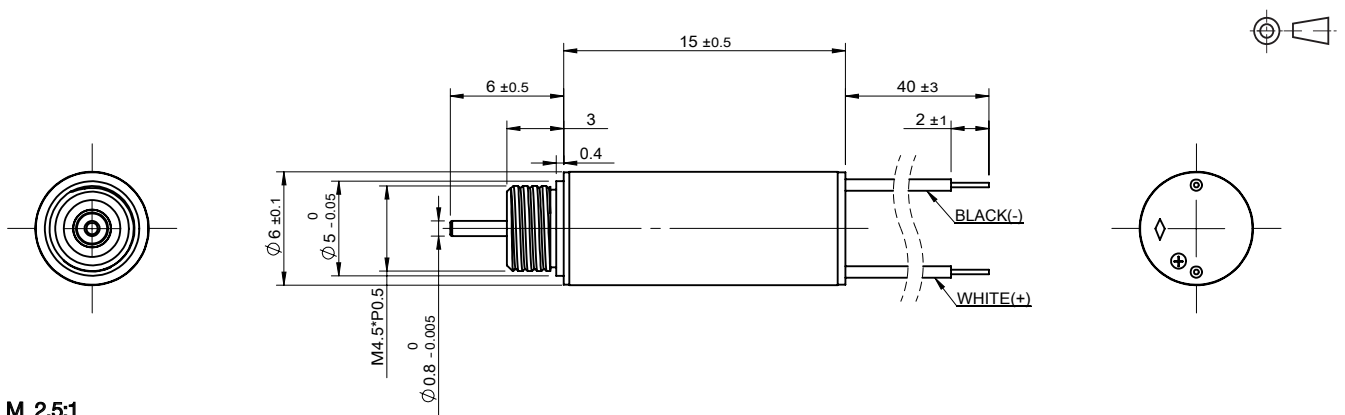
主要技术指标 | Characteristics

			01-122-3.0	02-185-3.0	03-295-6.0
1	电压	Voltage	V	3.0	6.0
2	端电阻	Terminal resistance	Ω	19.0	10.1
3	空载转速	No-load speed	rpm	12200	29500
4	空载电流	No-load current	mA	10	20
5	堵转转矩	Stall torque	mNm	0.33	1.07
6	堵转电流	Stall current	mA	160	590
7	额定转矩	Nominal torque	mNm	0.10	0.30
8	额定转速	Nominal speed	rpm	8500	21230
9	额定电流	Nominal current	mA	60	180
10	最大输出功率	Max. output power	W	0.11	0.83
11	最大效率	Max. efficiency	%	56	67
12	反电势常数	Back-EMF constant	mV/rpm	0.2	0.2
13	转矩常数	Torque constant	mNm/A	2.2	1.9
14	转速 / 转矩斜率	Speed/torque gradient	rpm/mNm	37000	27600
15	转子惯量	Rotor inertia	gcm ²	0.015	0.015
16	重量	Weight	g	2.5	2.5
17	热阻 (机壳 - 环境)	Thermal resistance housing-ambient	K/W		75.83
18	热阻 (线圈 - 机壳)	Thermal resistance winding-housing	K/W		42.08
19	热时常数 (电机)	Thermal time constant motor	s		78
20	热时常数 (线圈)	Thermal time constant winding	s		15
21	工作温度范围	Operating temperature range	°C		-20~+85
22	绕组耐温等级	Thermal class of winding	°C		130
23	轴向间隙	Axial play	mm		≤0.3
24	径向间隙	Radial play	mm		0.012
25	动态轴向载荷	Axial load dynamic	N		0.15
26	静态轴向载荷	Axial load static	N		10
27	径向载荷 (距安装面 3mm)	Radial load at 3 mm from mounting face	N		0.7
28	极对数	No. of pole pairs			1
29	轴承	Bearings			2 枚含油轴承/2 sleeve bearings
30	换向结构	Commutator			贵金属 5 相/metal 5 segments
31	防护等级	Protection class			IP 40

★可选参数 Options: 导线长度 Lead wires length 轴长 Shaft length 性能 Special coils

齿轮箱 Gearheads

外观图 | Outline Drawing



M 2.5:1